

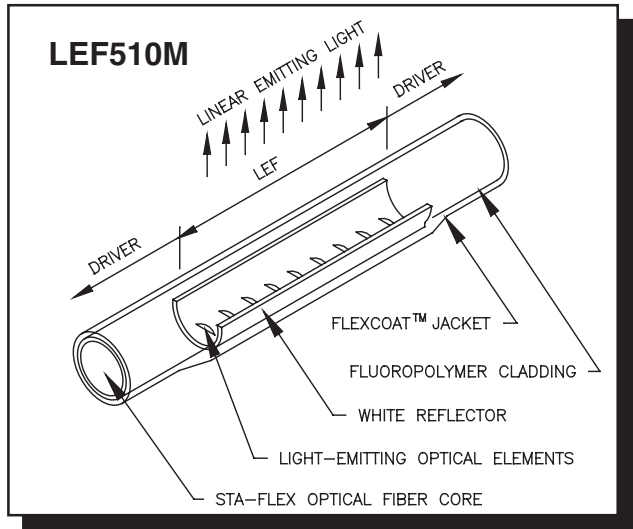
STA-FLEX® LEF™ 510M LINEAR EMITTING FIBER

Project:

Type:

Catalog Number: **LEF510M**

System Component: **Optical Fiber**

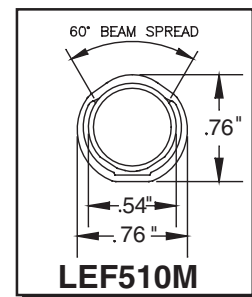


- ◆ Cove Lighting
- ◆ Brightest Linear Accent
- ◆ Water Features
- ◆ Ambient Lighting
- ◆ Indirect Lighting
- ◆ Task Lighting
- ◆ Signage
- ◆ Transportation

DESCRIPTION: LEF510M is the brightest linear optical fiber in the industry today. It provides solutions to numerous lighting applications for both issues of luminance (perceived brightness of product when directly viewed) and illuminance (resultant footcandles or lux on a task). LEF510M's flexibility makes it ideal for applications where subtle radial bends are required. Suitable for exterior, interior and water feature use, it is manufactured in 6" (152 mm) increments and sold by the foot. Like all LEF products, LEF510M is "driver dependent" (see ordering information on the back of the page). Add "-WR" jacket for underwater applications.

SPECIFICATIONS:

Series Number	LEF510M
Core Diameter	.49" (12.5 mm)
Outer Diameter	.76" (19.3 mm)
Operating Temperature Range	Up to 90° C (194° F)
Recommended Maximum Number of Fibers into Illuminator	2 (PH, AR); 1 (LI)
Weight of Optical Fiber (Average per Foot)	3.47 oz. (100 g.)
Recommended Bend Radius	6" (152mm) or larger
LEF510M-WR Dimensions	.825" (21.0mm) W x .825" (21.0mm) H



LUMENYTE® INTERNATIONAL CORPORATION

74 Icon, Foothill Ranch, CA 92610 USA

EMAIL: licinfo@lumenyte.com WEBSITE: www.lumenyte.com TEL: 949.829.5200 FAX: 949.829.5201

DCN# 650020

Page OF-10A

STA-FLEX® LEF™ 510M LINEAR EMITTING FIBER

Ordering Information

SERIES LEF510M	UNDERWATER -WR	Total Footage (Length in ft.) _____ FT	DRIVER (Length in ft.) Single and Double ended fibers. _____ FT	LEF (Length in ft.) _____ FT	DRIVER (Length in ft.) Double ended fibers only. _____ FT
------------------------------	------------------------------	---	---	---	---

EXAMPLE:
LEF510M -WR-38'(1'DR+36' LEF+1'DR)

SERIES	UNDERWATER	TOTAL FOOTAGE	DRIVER	LEF	DRIVER
LEF510M	-WR	38'	1'	36'	1'

Recommended Distances for Effective LEF510M Brightness

- The effective light-length-output of LEF510M fiber optic is subjective and based upon several variables such as:
 - Intensity of light source
 - Quantity of fibers in illuminator
 - Attenuation of light
 - Background color contrast
 - Viewing angle
 - Color of light
 - Ambient light level
 - Length of run
 - Number of splices
- Shorter runs, up to 20' (6m) from one light source or up to 40' (12m) with a light source at each end, are recommended.

Driver

- The LEF Series of optical fibers is "driver dependent" and is supplied with a minimum 1' (30.5cm) length of driver. Driver can be field cut and spliced as required. Driver lengths of up to 10' (3m) have minimum impact on photometric performance on a straight run. LIC recommends 6" (152mm) or greater radius turns in the driver. A second driver is required when fiber is lit from both ends.

Mounting

- Use CUC or WUC610-7 for both exterior and interior applications or OPCL-6.5 for interior applications. Bond LEF into track with LIC-RTV.
- Use WUC or CUC704-7 for LEF510M-WR. Use LIC-RTV in track base to avoid air pockets.
- Tracks may cut into "clips" for curved areas. Bond fiber per above.

Environment

- Optical fiber core must be protected in wet or sunlit areas. Use end seals where applicable.
- Protect core and cladding from dirt and abrasions.
- Install fiber at temperatures of 10° C (50° F) or higher.
- Prior to installation, unbox optical fiber and lay fiber straight for several hours to remove coil memory.
- Not for underwater use.
- For underwater use, add -WR jacket.