

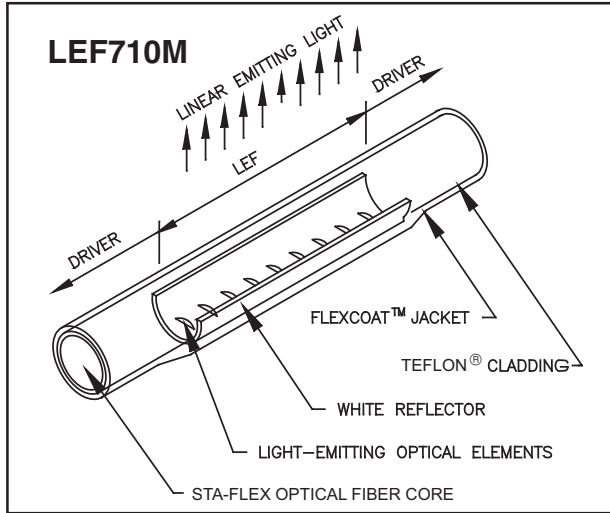
STA-FLEX® LEF™ 710M LINEAR EMITTING FIBER

Project:

Type:

Catalog Number: **LEF710M**

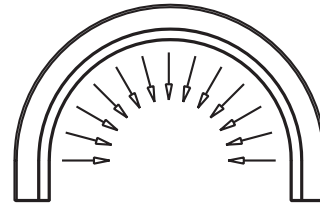
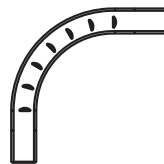
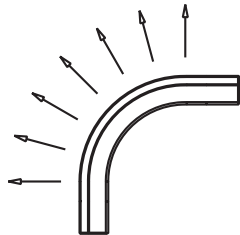
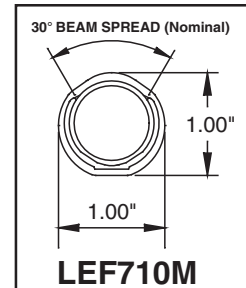
System Component: **Optical Fiber**



- ◆ Medium to Large Cove Lighting
- ◆ Building Delineation
- ◆ Neon Substitute
- ◆ Back Lighting
- ◆ Niche Lighting
- ◆ Signage
- ◆ Industrial Lighting

SPECIFICATIONS:

Series Number	LEF710M
Core Diameter	.74" (18.8 mm)
Outer Diameter	1.00" (25.5 mm)
Operating Temperature Range	Up to 90° C (194° F)
Weight of Optical Fiber (Average per Foot)	6.78 oz. (190 g.)
Beam Angle	30 Degrees (Nominal)
Minimum Bend Radius	12" (304.8 mm) or larger



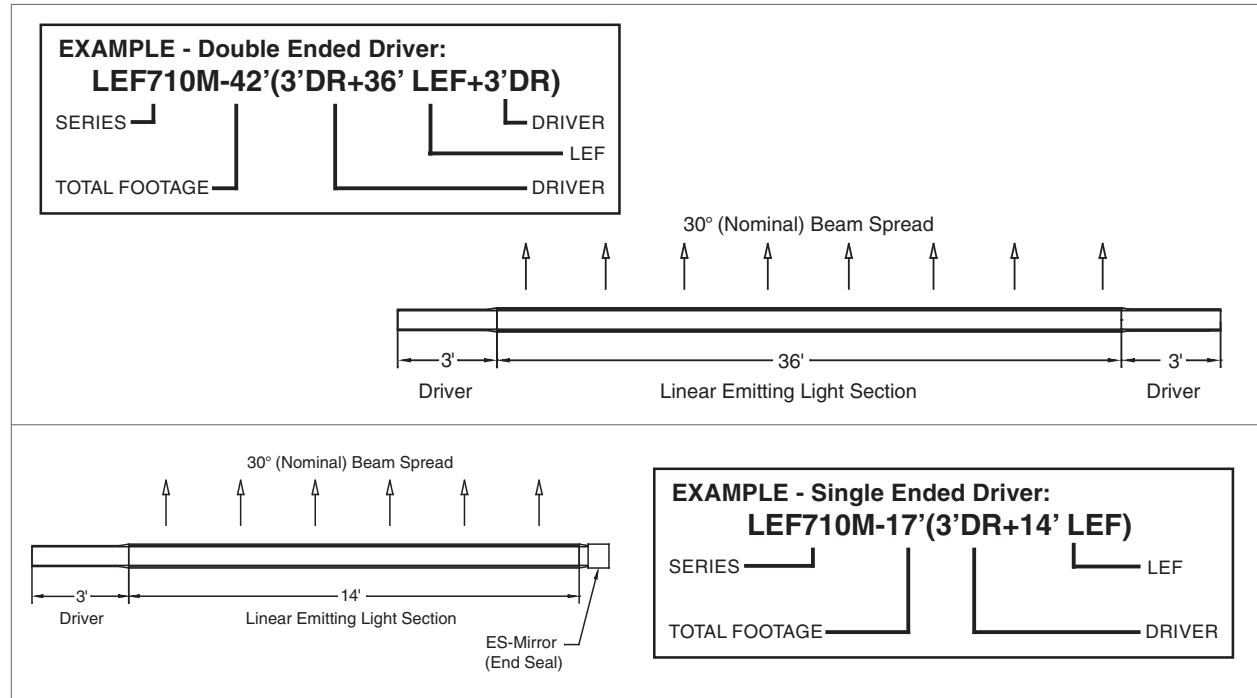
LEF710M: 12" Radius (304.8mm) 12" Radius (304.8mm) 12" Radius (304.8mm)

NOTE: Images are not to scale

STA-FLEX® LEF™ 710M LINEAR EMITTING FIBER

Ordering Information

SERIES	Total Footage (Length in ft.)	DRIVER (Length in ft.) Single and Double ended fibers.	LEF (Length in ft.)	DRIVER (Length in ft.) Double ended fibers only.
LEF710M	_____ FT	_____ FT	_____ FT	_____ FT



Recommended Distances for Effective LEF710M Brightness

- The effective light-length-output of LEF710M fiber optic is subjective and based upon several variables such as:
 - Intensity of light source
 - Quantity of fibers in illuminator
 - Attenuation of light
 - Background color contrast
 - Viewing angle
 - Color of light
 - Ambient light level
 - Length of run
- Shorter runs, up to 35' (10.7m) from one light source or up to 45' (13.7m) with a light source at each end, are recommended.

Driver

- The LEF Series is "driver dependent". Therefore, driver length(s) must be specified at time of placing order. Driver lengths of up to 10' (3m) have minimum impact on photometric performance on a straight run. The minimum bending radius of the fiber is 12" (304.8mm) or greater. A second driver is required when fiber is lit from both ends.

Environment

- Optical fiber core must be protected in wet or sunlit areas. Use end seals where applicable.
- Protect core and cladding from dirt and abrasions.
- Install fiber at temperatures of 10° C (50° F) or higher.
- Prior to installation, unbox optical fiber according to Lumenyte's printed unpacking instruction sheet and lay fiber straight for several hours to remove coil memory.
- Not for underwater use.