

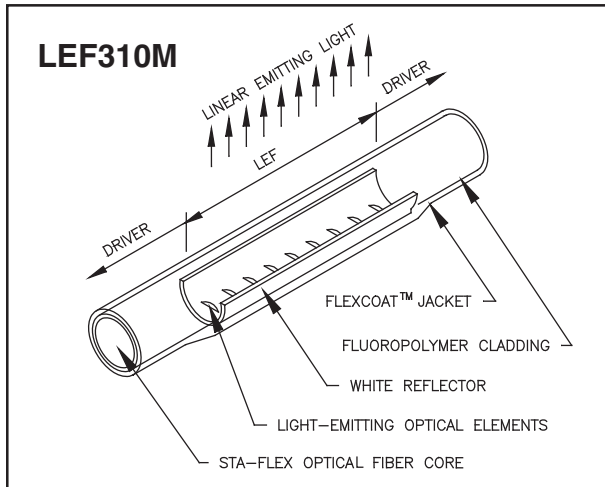
STA-FLEX® LEF™ 310M LINEAR EMITTING FIBER

Project:

Type:

Catalog Number: **LEF310M**

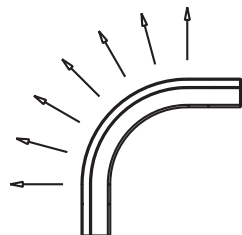
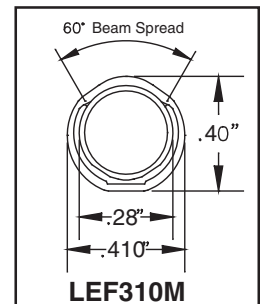
System Component: **Optical Fiber**



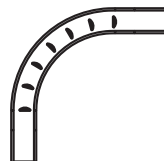
- ◆ Small Coves
- ◆ Glass Block
- ◆ Ambient Lighting
- ◆ P.O.P. Displays
- ◆ Accents

SPECIFICATIONS:

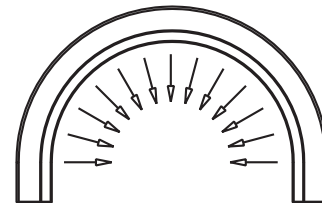
Series Number	LEF310M
Core Diameter	.240" (6.1mm)
Outer Diameter	.410" (10.4mm)
Operating Temperature Range	Up to 194° F (90° C)
Recommended Maximum Number of Fibers into Illuminator	5 (PH-N); 7 (PH-H, AR); 3 (LI)
Weight of Optical Fiber (Average per Foot)	1.13oz. (32g.)
Recommended Bend Radius	4" (102mm) or larger



LEF310M: 3" Radius (76mm)



3" Radius (76mm)



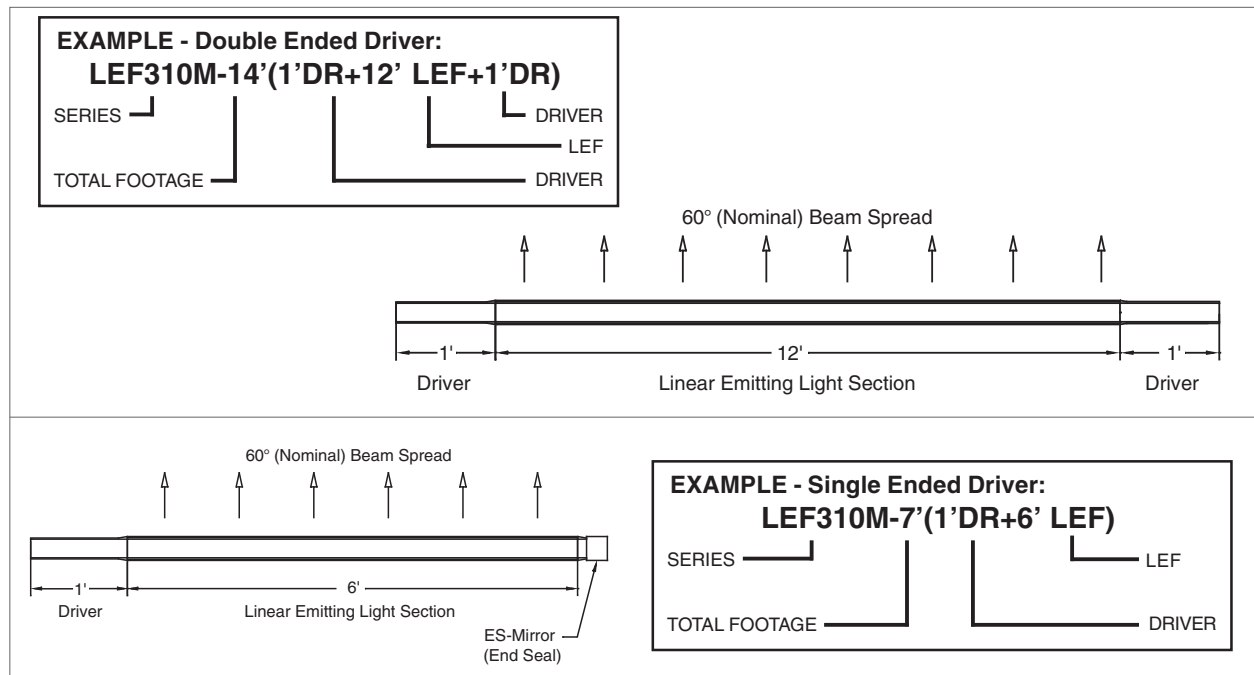
4" Radius (102mm)

NOTE: Images are not to scale

STA-FLEX® LEF™ 310M LINEAR EMITTING FIBER

Ordering Information

SERIES LEF310M	Total Footage (Length in ft.) _____ FT	DRIVER (Length in ft.) Single and Double ended fibers. _____ FT	LEF (Length in ft.) _____ FT	DRIVER (Length in ft.) Double ended fibers only. _____ FT
--------------------------	---	--	---	--



Recommended Distances for Effective LEF310M Brightness

- The effective light-length-output of LEF310M fiber optic is subjective and based upon several variables such as:
 - Intensity of light source
 - Quantity of fibers in illuminator
 - Attenuation of light
 - Background color contrast
 - Viewing angle
 - Color of light
 - Ambient light level
 - Length of run
 - Number of splices
- Shorter runs, up to 6' (1.8m) from one light source or up to 12' (3.6m) with a light source at each end, are recommended.

Driver

- The LEF Series of optical fibers is "driver dependent" and is supplied with a minimum 1' (30.5cm) length of driver. Driver can be field cut and spliced as required. Driver lengths of up to 10' (3m) have minimum impact on photometric performance on a straight run. LIC recommends 6" (152mm) or greater radius turns in the driver. A second driver is required when fiber is lit from both ends.

Mounting

- Use WUC404-7 for both exterior and interior applications or OPCL-4 for interior applications. Bond LEF into track with LIC-RTV.
- Tracks may be cut into "clips" for curved areas. Bond fiber per above.

Environment

- Optical fiber core must be protected in wet or sunlit areas. Use end seals where applicable.
- Protect core and cladding from dirt and abrasions.
- Install fiber at temperatures of 10° C (50° F) or higher.
- Prior to installation, unbox optical fiber and lay fiber straight for several hours.
- Not for underwater use.

All LUMENYTE® Fiber Optics are Protected by either U.S. PATENTS or INTERNATIONAL or Specific Country PATENTS, or both. Copyright© 4 December, 2008. All Rights Reserved by LUMENYTE INTERNATIONAL CORPORATION.