

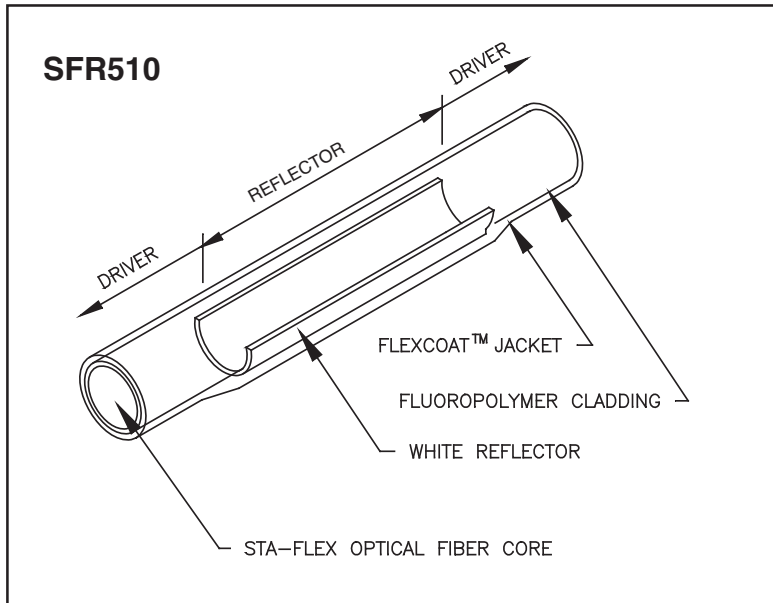
STA-FLEX® SFR™ 510 LINEAR OPTICAL FIBER

Project:

Type:

Catalog Number: **SFR510**

System Component: **Optical Fiber**

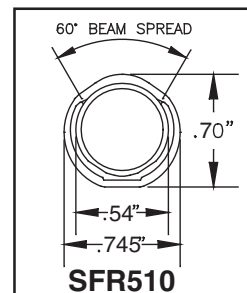


- ◆ Linear Accent
- ◆ Water Features
- ◆ Ambient Lighting
- ◆ Pathways

DESCRIPTION: **SFR510** offers an intermediate brightness level between SFC/SWN and LEF type fibers with a built-in white reflector beneath a protective Flexcoat™ jacket. This results in an effect similar to SFC501 or SWN500 fiber in white U channel. It is suitable for exterior or interior use and is ideal for rounded or squared recess applications when a separate track is not required or desired. Its viewing face is 60° and uni-directional. SFR510 is “driver dependent” (see ordering information on the back of page). For underwater applications, add “-WR” jacket.

SPECIFICATIONS:

Series Number	SFR510
Core Diameter	.49" (12.5mm)
Outer Diameter	.76" (19.3mm)
Operating Temperature Range	Up to 90° C (194° F)
Recommended Maximum Number of Fibers into Illuminator	2 (PH, AR); 1 (LI)
Weight of Optical Fiber (Average per Foot)	3.47 oz. (100 g.)
Recommended Bend Radius	6" (152mm) or larger
SFR510-WR Dimensions	.825" (21.0mm) W x .825" (21.0mm) H



NOTE: Images are not to scale

LUMENYTE INTERNATIONAL CORPORATION

74 Icon, Foothill Ranch, CA 92610 USA

EMAIL: licinfo@lumenyte.com WEBSITE: www.lumenyte.com TEL: 949.829.5200 FAX: 949.829.5201

DCN 650019

STA-FLEX® SFR™ 510 LINEAR OPTICAL FIBER

Ordering Information

SERIES	UNDERWATER	Total Footage (Length in ft.)	DRIVER (Length in ft.) Single and Double ended fibers.	LEF (Length in ft.)	DRIVER (Length in ft.) Double ended fibers only.
SFR510	-WR	_____ FT	_____ FT	_____ FT	_____ FT

EXAMPLE:

SFR510 - 85' (3'DR + 79' SFR + 3'DR)

SERIES _____ DRIVER
TOTAL FOOTAGE _____ SFR (Reflectorized)
DRIVER

Recommended Distances for Effective SFR510 Brightness

- The effective light-length-output of SFR510 fiber optic is subjective and based upon several variables such as:
 - Intensity of light source
 - Quantity of fibers in illuminator
 - Attenuation of light
 - Background color contrast
 - Viewing angle
 - Color of light
 - Ambient light level
 - Length of run
 - Number of splices
- Generally, runs may range from 10'-40' (3m-12.2m) from one light source or from 50'-100' (15.2m-30.4m) with a light source at each end.

Driver

- The SFR Series of optical fibers is "driver dependent" and is supplied with a minimum 1' (30.5cm) length of driver. Driver can be field cut and spliced as required. Driver lengths of up to 10' (3m) have minimum impact on photometric performance on a straight run. LIC recommends 6" (152mm) or greater radius turns in the driver. A second driver, at the opposite end, is required when fiber is lit from both ends.

Mounting

- Use CUC or WUC610-7 for exterior or interior applications or OPCL-6.5 for interior applications. Bond SFR into track with LIC-RTV.
- Use WUC or CUC704-7 for SFR510-WR. Use LIC-RTV in track base to avoid air pockets.
- Tracks may be cut into "clips" for curved areas. Bond fiber per above.

Environment

- Optical fiber core must be protected in wet or sunlit areas. Use end seals where applicable.
- Protect core and cladding from dirt and abrasions.
- Install fiber at temperatures of 10° C (50° F) or higher.
- Prior to installation, unbox optical fiber and lay fiber straight for several hours to remove coil memory.
- For underwater use, use -WR jacket.

All LUMENYTE® Fiber Optics are Protected by either U.S. PATENTS or INTERNATIONAL or Specific Country PATENTS, or both. Copyright© 4 December, 2008. All Rights Reserved by LUMENYTE INTERNATIONAL CORPORATION.