

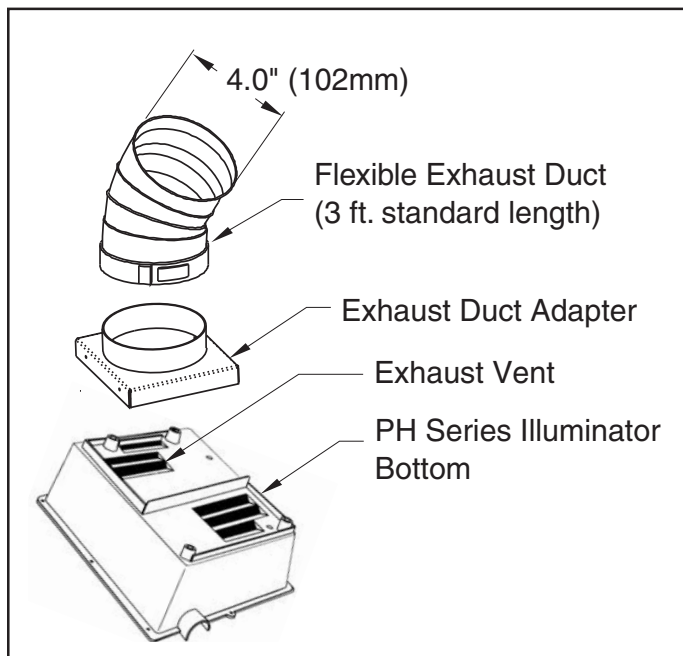
## EXHAUST DUCT - POWERHOUSE™ SERIES ILLUMINATORS

Project:

Type:

Catalog Number: **DUCT-PH**

System Component: **Illuminator**



**NOTE:** Drawing is not to scale

**DESCRIPTION:** The Lumenyte **DUCT-PH** kit is designed for exclusive use with the **POWERHOUSE™** "PH" series of illuminators. This kit, when correctly installed, can help remove the hot internal air from the illuminator. This may be required in areas where proper ventilation is limited. The flexible exhaust duct is first attached to the exhaust adapter. This assembly is then attached to the exhaust vent on the bottom of the illuminator. The duct end must terminate in an open area so as not to restrict the air flow out of the illuminator. Use the exhaust duct whenever there is less than optimum ventilation around the illuminator, such as in semi-enclosed spaces. **DO NOT RESTRICT THE DUCT PORT.**

For a fully enclosed environment, please contact your factory representative or dealer for further assistance.

**LUMENYTE®** INTERNATIONAL CORPORATION

74 Icon • Foothill Ranch, CA 92610 USA

EMAIL: [licinfo@lumenyte.com](mailto:licinfo@lumenyte.com) WEBSITE: [www.lumenyte.com](http://www.lumenyte.com) TEL: 949.829.5200 FAX: 949.829.5201

All **LUMENYTE®** Fiber Optics are Protected by either U.S. PATENTS or INTERNATIONAL or Specific Country PATENTS, or both. Copyright© 4 December, 2008. All Rights Reserved by LUMENYTE INTERNATIONAL CORPORATION.

DCN 650091