

# DMX 512 CONTROLLER

Project:

Type:

Catalog Number: **DMX-CONT**

System Component: **Illuminator**



- ◆ 192 Channel Control
- ◆ 6 - 240 Scene Chase Effects
- ◆ LCD Display
- ◆ Blackout Controlled
- ◆ 3 Space 19" Rack Mount Case
- ◆ Programmable Memory for 240 Scenes
- ◆ Control Fixtures with up to 16 DMX Channels
- ◆ Adjustable Chase Fade, Timing and Speeds
- ◆ Comprehensive MIDI Control Functions

**DESCRIPTION:** Lumenyte offers **DMX512** Control for professional theatrical and entertainment level lighting. The system includes input and output 5-pin XLR receptacles on each illuminator, which are linked via DMX cabling, each with a male and female XLR plug end. A Terminator (plug) is required in the output receptacle of the last illuminator in the DMX chain.

Customized, sequenced, lighting routines are created by programming the DMX Controller (**DMX-CONT**). Lumenyte's DMX-CONT offers 192 channel control, programmable memory for 240 scenes, multiple chase effects and ability to control fixtures with up to 16 DMX channels. Scenes can be triggered by sound, time, MIDI or tap sync. Programming may be provided by experienced professionals or by following instructions in the DMX Controller manual.

## SPECIFICATIONS:

Housing Size	L: 5.25" (133.4cm) W: 19" (483.6cm) H: 2.5" (6.35cm)
Power Input	DC 9V-12V, 220mA minimum power supply included, 120V or 220V operation
Weight	5 lbs. (2.3 kg)
Illuminators/Distance	Up to 32 illuminators and/or within 600' (183m) of control unit. Illuminators and/or distance can be increased by use of a DMX512 Isolation/Amplifier ( <b>DMX-IS/AM</b> ) every 32 illuminators and/or 600' (183m) thereafter.

**LUMENYTE®** INTERNATIONAL CORPORATION

74 Icon • Foothill Ranch, CA 92610 USA

EMAIL: [licinfo@lumenyte.com](mailto:licinfo@lumenyte.com) WEBSITE: [www.lumenyte.com](http://www.lumenyte.com) TEL: 949.829.5200 FAX: 949.829.5201

DCN650035

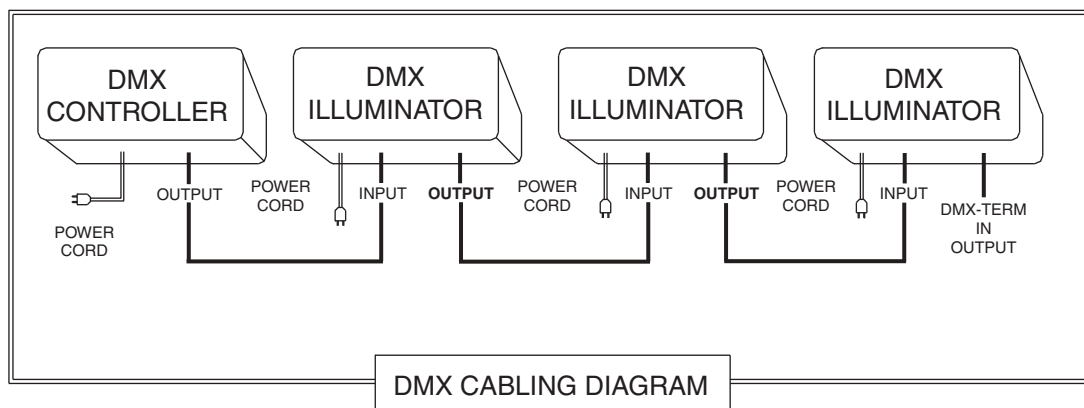
# DMX 512 CONTROLLER

## Ordering Information

<b>DMX-CONT-120</b>	DMX512 Controller, 120V/60hZ
<b>DMX-CONT-220</b>	DMX512 Controller, 220V/50hZ
<b>DMX-TERM</b>	Terminator Plug for last illuminator output receptacle
<b>DMXC-10'</b>	DMX cable, 10' (3m) length, with 5-pin XLR plugs
<b>DMXC-25'</b>	DMX cable, 25' (7.6m) length, with 5-pin XLR plugs
<b>DMXCUST</b>	DMX cable, with 5-pin XLR plugs. Designate footage length desired.
<b>XLR5-F</b>	Replacement 5-pin XLR female plug
<b>XLR5-M</b>	Replacement 5-pin XLR male plug
<b>E9N-139</b>	Replacement Adaptor 3-pin to 5-pin (for DMX-CONT)
<b>DMX-IS/AM</b>	DMX512 Isolation/Amplifier

## Installation

With Encore Series illuminators, DMX512 system installation is simple. Link from **DMX-CONT** output to first illuminator input with **DMX** cable. Repeat cabling sequence to final illuminator in chain. Install **DMX-TERM** into last illuminator's output receptacle. Use conduit to protect cabling in exterior applications or wherever damage may occur.



## Programming

Please refer to DMX Controller manual for details. Please contact Lumenyte, or its representatives, for professional programming service referrals.