

# DISCONTINUED - LIMITED AVAILABILITY

## WALL FITTINGS FOR WATER FEATURES

Project:

Type:

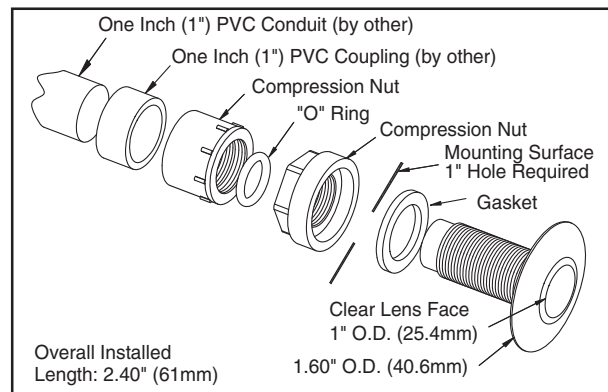
Catalog Number: **XL-CNF-300, 400, 500, XL-GWF, XL-FWF, DIFF-LENS**

System Component: **Wall Fitting**

### Features

- ◆ For Underwater, Exterior, Interior Use
- ◆ Low Profile
- ◆ Non-Metallic Components
- ◆ Easy Installation
- ◆ Rotatable Light Cutoff with DIFF-LENS (optional)

**XL-CNF-Fiber Size:** Non-removable wall fitting provides a low profile design without face-plate. It is used in water features, pools, spas, saunas, showers, steps and more. This fitting installs from front to behind and requires 2.6" (61mm) clearance behind mounting surface. Add 3"-8" (76-203mm) to that clearance for fiber's entry bend radius, depending on fiber size.



### Ordering Information

<u>Model Number</u>	<u>Use With</u>
XL-CNF-300	SEL300
XL-CNF-400	SEL400
XL-CNF-500	SEL500

**LUMENYTE** INTERNATIONAL CORPORATION

74 Icon • Foothill Ranch, CA 92610 USA

EMAIL: [licinfo@lumenyte.com](mailto:licinfo@lumenyte.com) WEBSITE: [www.lumenyte.com](http://www.lumenyte.com) TEL: 949.829.5200 FAX: 949.829.5201

DCN 650007

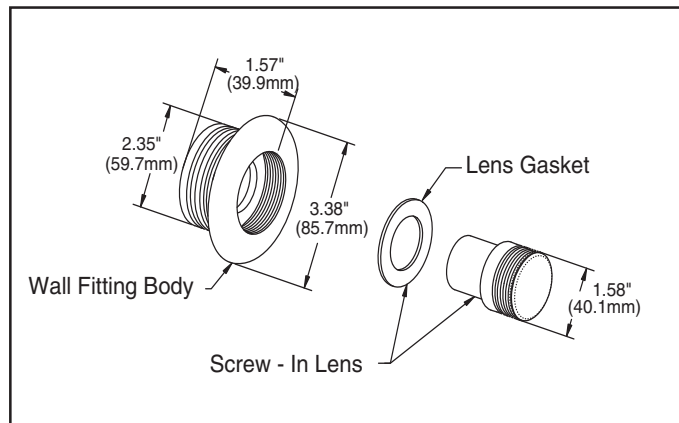
# DISCONTINUED - LIMITED AVAILABILITY

## WALL FITTINGS FOR WATER FEATURES

### Typical Applications

- ◆ Pools
- ◆ Spas/Saunas
- ◆ Docks
- ◆ In-ground Landscape Lighting
- ◆ Fountains
- ◆ Step Lighting
- ◆ Cold Storage
- ◆ Interior and Exterior Walls

**XL-GWF:** Gunitite Wall Fitting Kit is popular for use in pools, spas, ponds, saunas and more. Kit includes instructions and glue, bushings and splice sleeves for SEL300 through SEL700 fiber sizes. Suitable for gunitite and concrete applications, the fiber with lens is removable. Heat-bent PVC or flexible conduit is recommended for fiber runs; the fitting accepts 1½" conduit. The white faceplate may be painted in the field to match surface color.



**NOTE:** Drawing is not to scale

### Ordering Information

<u>Model Number</u>	<u>Use With</u>
XL-GWF	SEL300 / SEL400 / SEL500 / SEL700
LTT-1	Lens Tightening Tool for XL-GWF

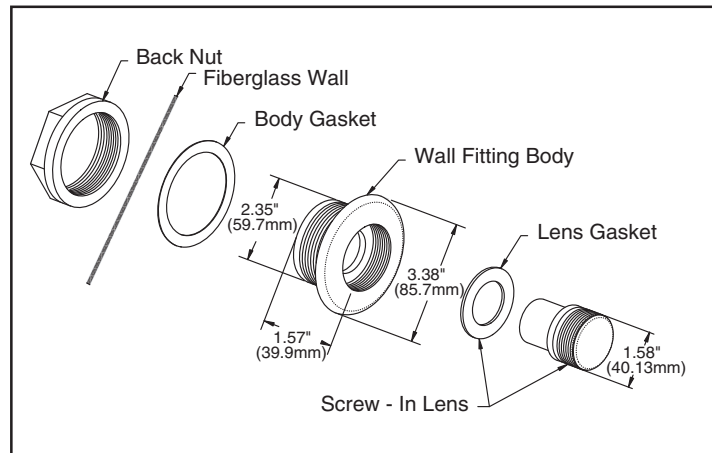
# DISCONTINUED - LIMITED AVAILABILITY

## WALL FITTINGS FOR WATER FEATURES

### Typical Applications

- ◆ Pools
- ◆ Spas/Saunas
- ◆ Docks
- ◆ In-ground Landscape Lighting
- ◆ Fountains
- ◆ Step Lighting
- ◆ Cold Storage
- ◆ Interior and Exterior Walls

**XL-FWF:** The Fiberglass Wall Fitting Kit provides for ease of installation in pools, spas and water features that have a single layer mounting structure (i.e., fiberglass, metal, plastic, etc.). The kit includes instructions and glue, bushings and splice sleeves for SEL300 through SEL700 fiber sizes. Heat-bent PVC or flexible conduit is recommended for fiber runs; the fitting accepts 1 1/2" conduit. The white faceplate may be painted in the field to match surface color.



**NOTE:** Drawing is not to scale

### Ordering Information

Model Number	Use With
XL-FWF	SEL300 / SEL400 / SEL500 / SEL700
LTT-1	Lens Tightening Tool for XL-FWF

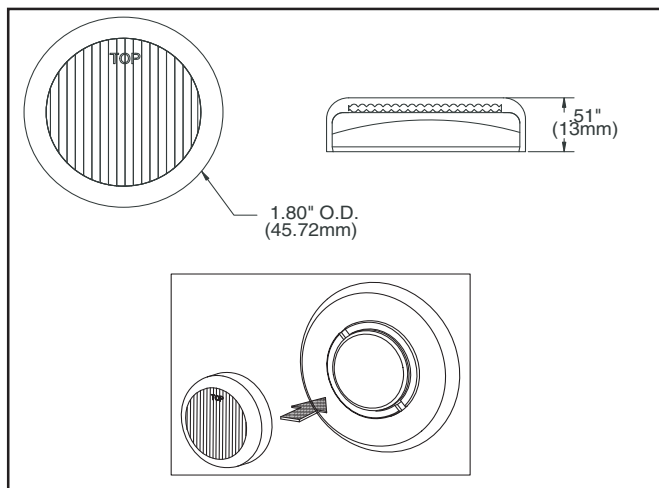
# DISCONTINUED - LIMITED AVAILABILITY

## WALL FITTINGS FOR WATER FEATURES

### Typical Applications

- ◆ Pools
- ◆ Spas/Saunas
- ◆ Docks
- ◆ In-ground Landscape Lighting
- ◆ Fountains
- ◆ Step Lighting
- ◆ Cold Storage
- ◆ Interior and Exterior Walls

**DIFF-LENS:** The Diffusion Lens snaps onto the "XL-" Series lenses. It directs light into a horizontal beam spread, effective for shallower depths (3' / 91cm or less), or a vertical beam spread as may be required. It is also suitable for spreading light across hardscape steps or floor areas when used with an "XL-" type fitting.



Shown in horizontal beam spread position

**NOTE:** Drawing is not to scale

### Ordering Information

<u>Model Number</u>	<u>Use With</u>
DIFF-LENS	XL-CNF-300 / XL-CNF-400 / XL-CNF-500 / XL-GWF / XL-FWF