

# LUMEPANEL™ BACKLIGHTING FIXTURE

Project:

Type:

Catalog Number:

System Component: **Fixtures**

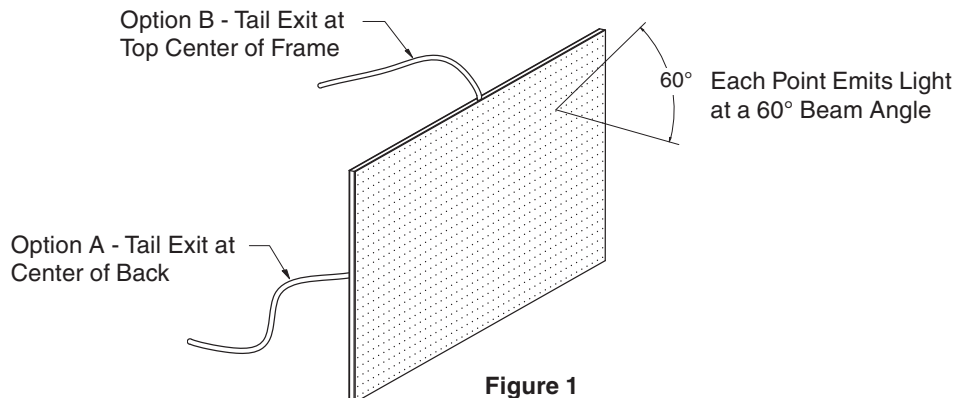
Panel #:

(Note: Provide separate sheet for each panel configuration.)

**DESCRIPTION:** Lumepanel™ is a multipoint light panel fixture ideally suited for indirect and backlighting applications.

## SPECIFICATIONS:

Panel Size	Minimum: 6.0" (152.4mm) x 12.0" (304.8mm) Maximum: 5'-0" (1.524m) x 10'-0" (3.048m)
Fiber Spacing (nominal)	0.5" (12.7mm), 1.0" (25.4mm), 1.5" (38.1mm), 2.0" (50.8mm) or 3.0" (76.2mm) on center.
Fiber Size	.020" (.5mm), .030" (.75mm) or .040" (1.0mm)
Recommended Maximum Fiber Count per Harness (Tail)	.020" dia - 1000 .030" dia - 600 .040" dia - 300
Beam Angle	60° Nominal
Tail Lengths	The tail length dimension is defined as the length from the point of exit from the panel to the end of the illuminator fitting. Minimum: 5'-0" (1.524m) Maximum: 30'-0" (9.144m)
Tail Jacket Material	Black polyolefin
Tail Exit from Panel	Standard tail exit configuration is either from the center of the back of the panel, Option A, or from the top frame edge of the panel, Option B (See Figure 1). Tails may also exit the panel from the bottom or side frames. Larger panels may require more than one tail. Custom tail exit locations and dimensions are available and must be specified at the time of order.



# LUMEPANEL™ BACKLIGHTING FIXTURE

## Ordering Information

PANEL	HEIGHT (In Inches)	WIDTH (In Inches)	SPACING (On Center)	TAIL LENGTH (In Feet)	FIBER
P	_____ IN	_____ IN	_____ IN	_____ FT	-2 = ESK-020 -3 = ESK-030 -4 = ESK-040

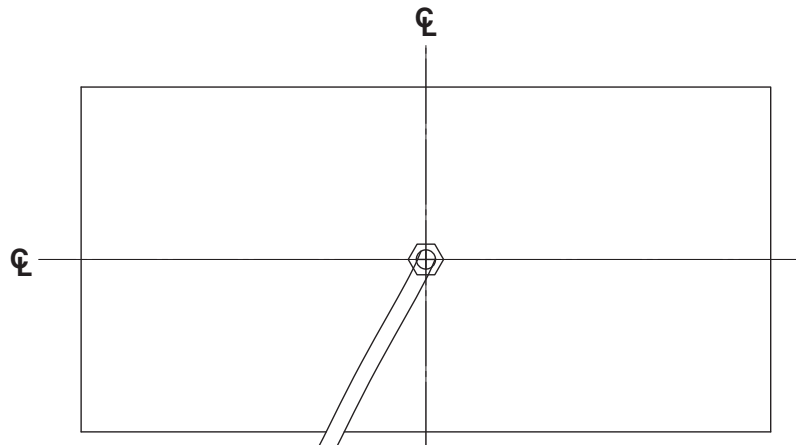
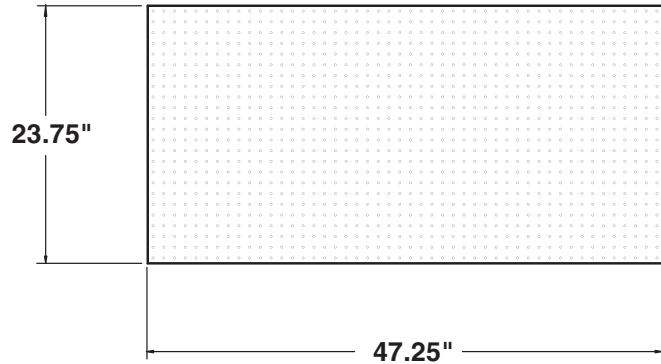
**EXAMPLE:**

**P24 - 48 - 1.5 - 10 - 3**

PANEL \_\_\_\_\_  
 HEIGHT \_\_\_\_\_  
 WIDTH \_\_\_\_\_

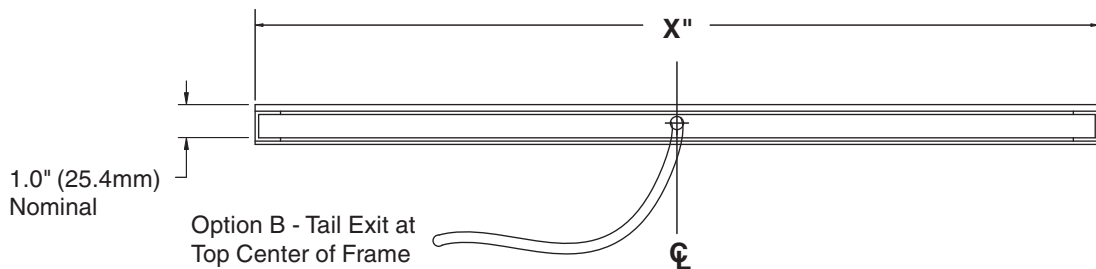
FIBER \_\_\_\_\_  
 TAIL LENGTH \_\_\_\_\_  
 SPACING \_\_\_\_\_

**NOTE:** When ordering fractional dimensions for panel length and width, specify actual required dimensions on drawing and round up to the next full inch for the part number designation as in the example



**REAR PANEL VIEW**

Option A - Tail Exit at Center of Back



**PANEL TOP VIEW**

Option B - Tail Exit at Top Center of Frame

**NOTE:** Drawings are not to scale.