

MINI SQUARE ILLUMINATED PAVER

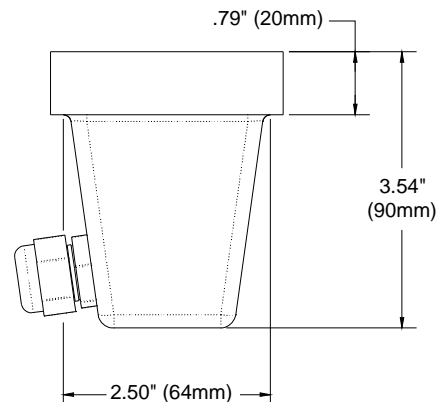
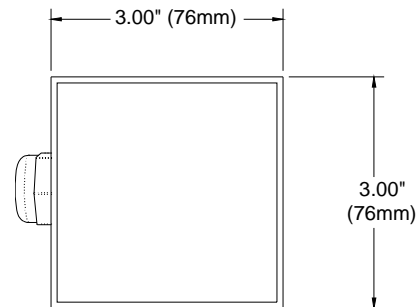
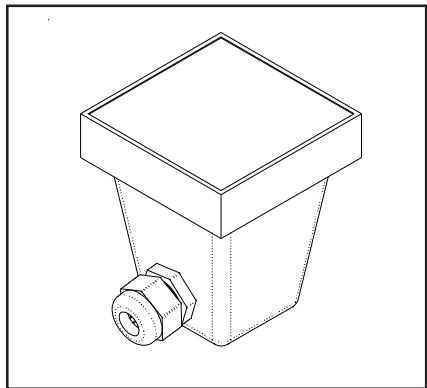
DISCONTINUED - LIMITED AVAILABILITY

Project:

Type:

Catalog Number: **PVS85-FT**

System Component: **Fixture**



SPECIFICATIONS:

Lens	3/4" (19mm) frosted float glass
Body	Vacuum molded high-impact polystyrene
Trim	Stainless steel edge trim
Fitting	Injection molded acrylic compression fitting
Electrical	Non-electrical light fitting
Installation	May be used for interior or exterior applications. Suitable for wet location installation.

LUMENYTE INTERNATIONAL CORPORATION

74 Icon • Foothill Ranch, CA 92610 USA

EMAIL: licinfo@lumenyte.com WEBSITE: www.lumenyte.com TEL: 949.829.5200 FAX: 949.829.5201

All **LUMENYTE**® Fiber Optics are Protected by either U.S. PATENTS or INTERNATIONAL or Specific Country PATENTS, or both. Copyright© 4 December, 2008. All Rights Reserved by LUMENYTE INTERNATIONAL CORPORATION.

DCN 650109